
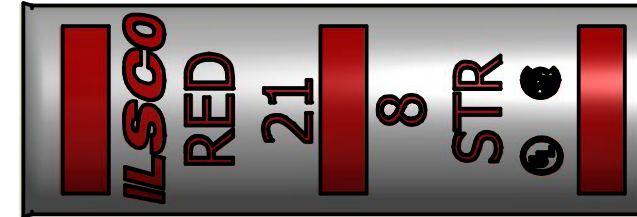
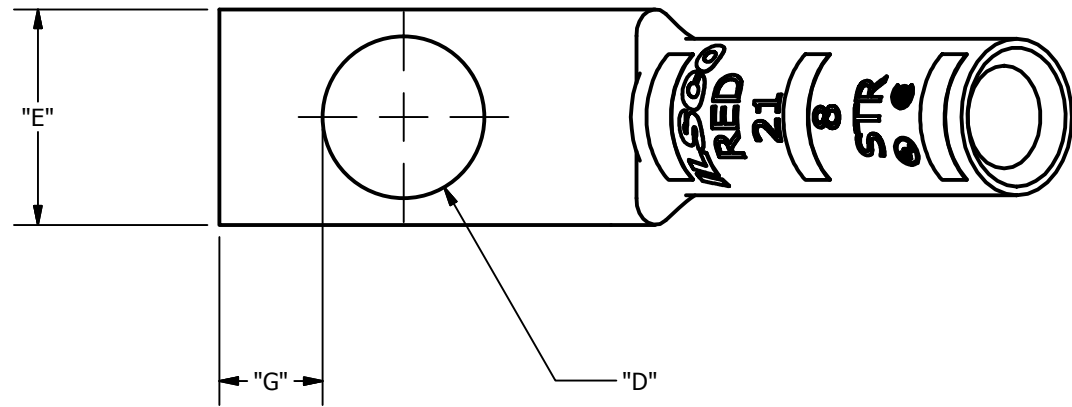
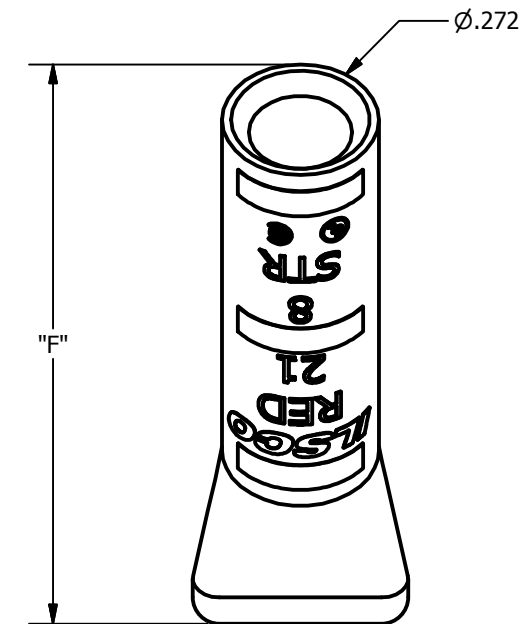
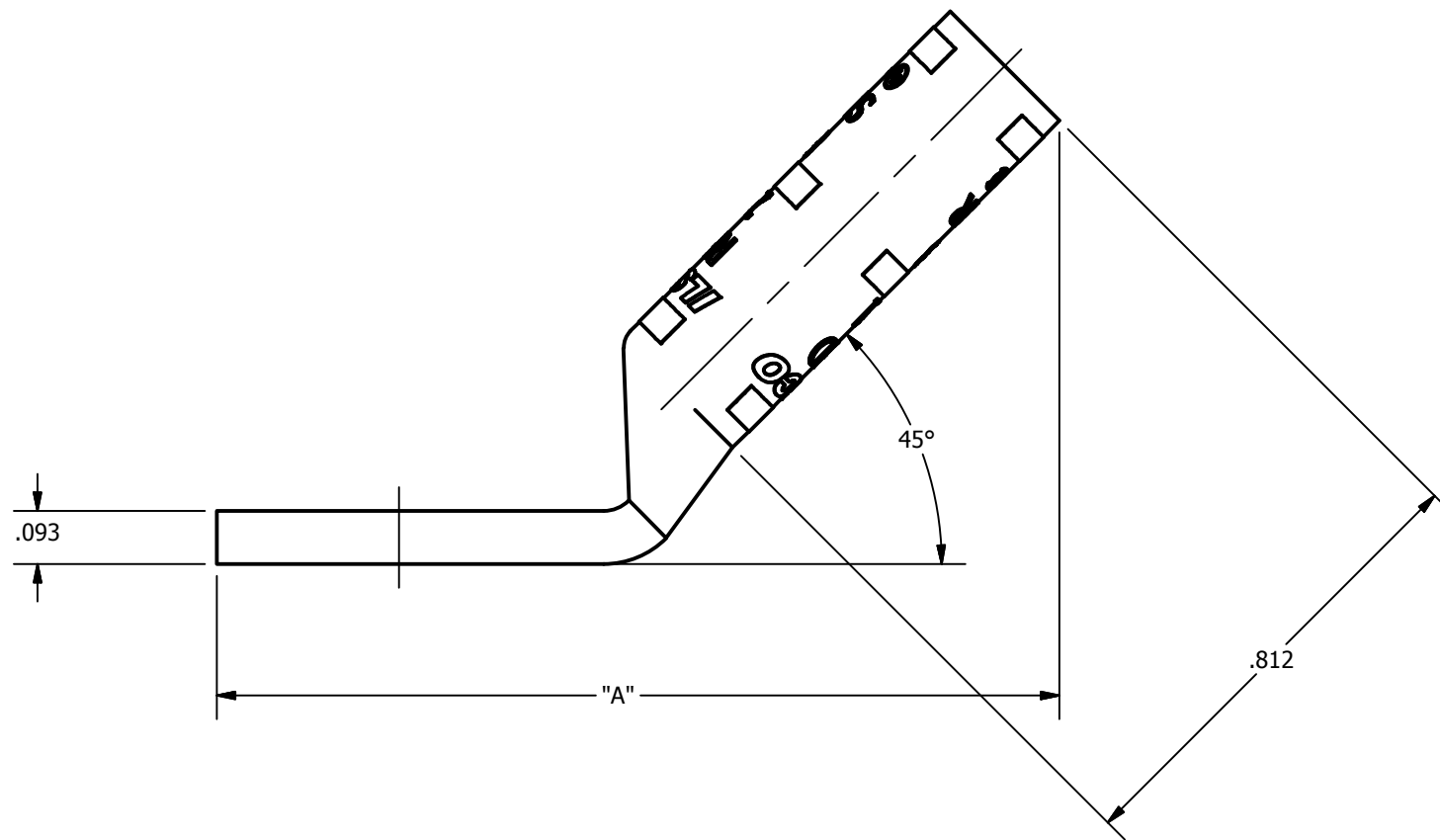


SCREW: NONE	MATERIAL: COPPER	REV: E	 800-776-9775 www.ilSCO.com
CAT. NO.: SEE CHART	PLATING: EL-TIN	DRAWN BY: DW SCALE: NTS	
INFORMATION SHEET: FORM 157	MARKING: SEE CHART	DATE: 6/3/2008 SIZE: B	
			DWG NO: Y0103-S-4
			SHEET: 1 OF 1



INK MARK TOP & BOTTOM



CATALOG NUMBER	"A"	"D"	"E"	"F"	"G"	TANG MARKING
CLNB-8-8-4	1.450	0.195	0.374	0.975	0.129	UL, ILSCO, CSA, CLNB-8-8-4, 8, 8 STR, DIE 21
CLNB-8-10-4	1.450	0.219	0.374	0.975	0.148	UL, ILSCO, CSA, CLNB-8-10-4, 10, 8 STR, DIE 21
CLNB-8-14-4	1.568	0.281	0.486	0.975	0.180	UL, ILSCO, CSA, CLNB-8-14-4, 1/4, 8 STR, DIE 21
CLNB-8-12-4	2.138	0.562	0.750	0.975	0.265	UL, ILSCO, CSA, CLNB-8-12-4, 1/2, 8 STR, DIE 21
CLNB-8-38-4	1.763	0.406	0.593	0.975	0.211	UL, ILSCO, CSA, CLNB-8-38-4, 3/8, 8 STR, DIE 21
CLNB-8-516-4	1.763	0.343	0.532	0.975	0.180	UL, ILSCO, CSA, CLNB-8-516-4, 5/16, 8 STR, DIE 21